

SONY

Hi-Fi Products
Service Bulletin

Sony Service Company : Technical Services
A Division of Sony Corporation of America
Sony Drive, Park Ridge, New Jersey 07656

Model: CDP-C900

No. 207

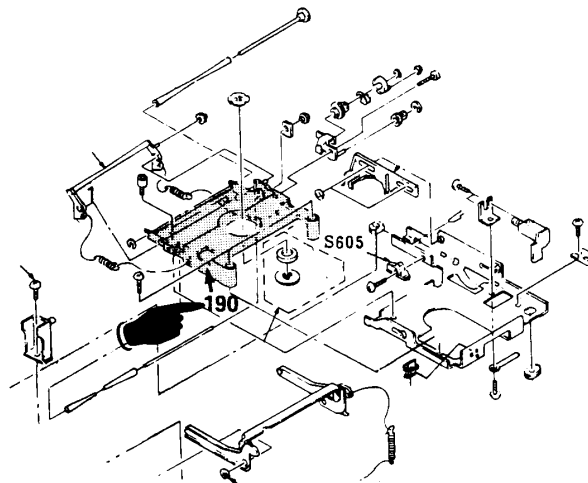
Subject: The Part Number For The Escutcheon (Ref. 190)
Listed In The Service Manual Is Incorrect.

Date: September 9, 1991

Symptom: (**)
The part number for the Escutcheon (L) Assy. (Ref. 190) listed in the Service Manual is incorrect.

Solution: Correct the part number in the Service Manual as shown below:

REF. NO.	DESCRIPTION	INCORRECT	CORRECT
190	ESCUTCHEON (L) ASSY.	X-4917-726-2	X-4917-777-1



Compact Disc
CSA-13

Reference: DA-02591R

PRINTED IN U.S.A.
CSA-13891-5